

- [Home](#)
- [Contact us](#)
- [News & Events](#)
- [Links](#)



- [Why Luxtel](#)
- [IsoluX](#)
- [CeraLux](#)
  
- [Overview](#)
- [Product cross reference](#)
- [Products](#)
- [Distribution](#)
- [Service & Care](#)
- [Technical Assistance](#)

## Power Supplies - CL1470 300 Watt Xenon Power Supply

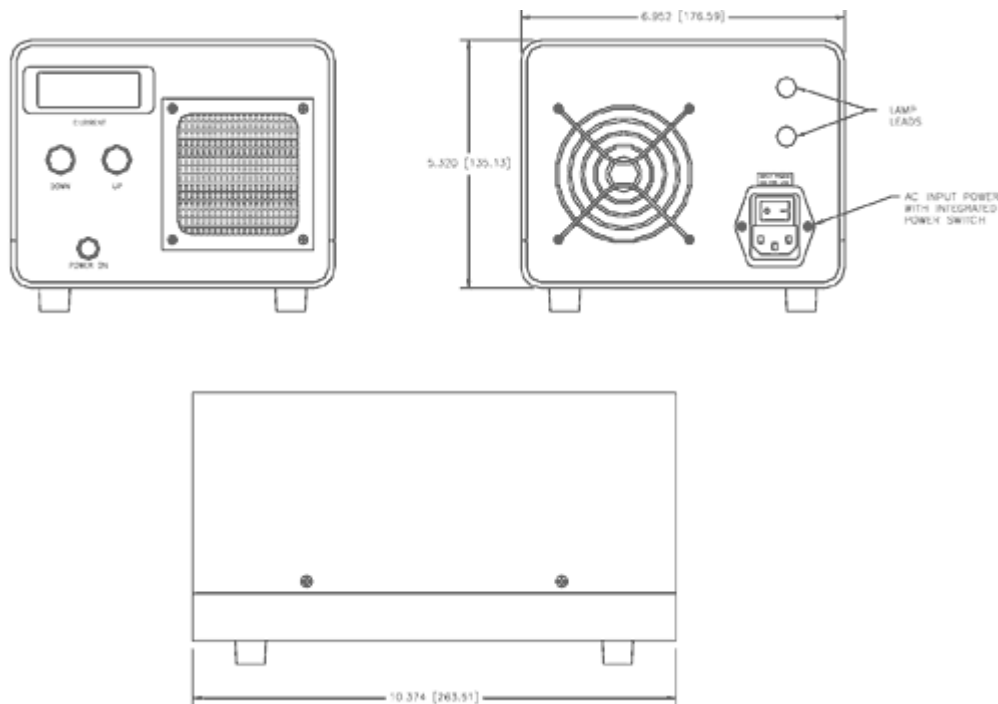


### High Performance Adjustable 300 Watt Power Supply For DC Xenon Short Arc Lamps

The Luxtel CL1470 is a universal input, power factor corrected, current and power regulated power supply adjustable from 10 to 22 Amps. With a voltage range from 10 to 30 VDC, it provides a single source for powering any Xenon lamp from 125 to over 300 watts. The "State of the Art" design provides for very high technical performance in a very compact unit. Its high efficiency (>80%) coupled with forced air cooling and a novel conductive cooling method provides for a much cooler operation (typically < 55 °C heat sink maximum temperature). Thereby, providing for a much more reliable operation, even at high ambient temperatures. When used in conjunction with the Luxtel Xenon Arc Lamp Housing, it provides for a complete bench top Arc Lamp System for many applications.

#### APPLICATIONS

- Medical and Endoscopy
- Surgical Procedures
- Photo Optic Lighting
- Fiber Optic Lighting
- Scientific Instrumentation
- Solar Simulation
- Spectroscopy
- Fluorescence Microscopy
- Industrial Illumination



### Input & General Specifications

AC Input Voltage Range	90 to 265 VAC, 47 to 63 Hz
Mains Input Current	Maximum 3.5 A @ 120 VAC
Inrush Current	20 amps peak @ 120 VAC
Power factor	> 0.95
AC Mains Harmonics	Meets EN 61000-3-2
Leakage Current	< 300 $\mu$ A @ 240 VAC, 150 $\mu$ A @ 120 VAC
Safety Standard	Meets EN 60950, UL 1950
Efficiency	> 80 %
Protection	<ul style="list-style-type: none"> <li>- Circuit Breaker, fast, 6 A</li> <li>- Short circuit to the lamp's return</li> <li>- Arc to ground</li> <li>- Over-temperature shutdown (85° C)</li> </ul>
Operating Temperature Range	0 - 50 °C
Cooling	Distributed airflow alongside the unit, with additional conductive cooling
Display (shows current setting)	3 ½ digits, 0.5" high, LCD
Controls	Two large pushbutton switches. Left switch decreases the current setting. Right switch increases the current setting.
Size	133 mm high by 177 mm wide by 264 mm deep.
Weight	7.5 lbs.

### Output Specifications

Operation Mode	DC, constant power regulation with max. current limit
Lamp Power Output Range	125 -300 W, adjustable
Output Ripple and Noise	DP <sub>L</sub> : <2%
Output Current, adjustable	10 to 22 amps
Lamp Voltage Range	10 -30 V (other range on request)
Auxiliary Output	12 VDC @ 1 A
Boost Voltage	> 145 V peak
Boost Current	> 90 amps peak

## Did You Know?

### Getter

In vacuum deposition, a device that removes contaminants from the vacuum chamber.

### Quick Links

- [Technical Assistance and Installation](#)
- [Service & Care](#)
- [Order Now](#)

- Luxtel llc® · 100 Ferncroft Road · Danvers, MA 01923
- Tel: (978) 774-9136
- Have questions? E-mail: [info@Luxtel.com](mailto:info@Luxtel.com)